

Dylan O. Adams



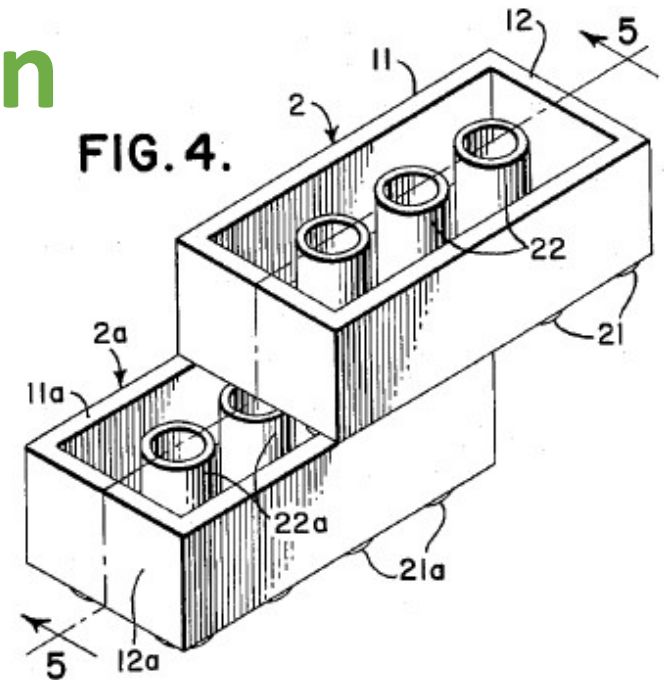
- ✓ Patent Attorney at DWT
- ✓ Plan & Build Patent Portfolios
- ✓ Electrical Engineering (MS)
- ✓ Biochemistry (BS)
- ✓ AI Clients and Graduate Work

LinkedIn @DylanAdams

YouTube @PatentsDemystified

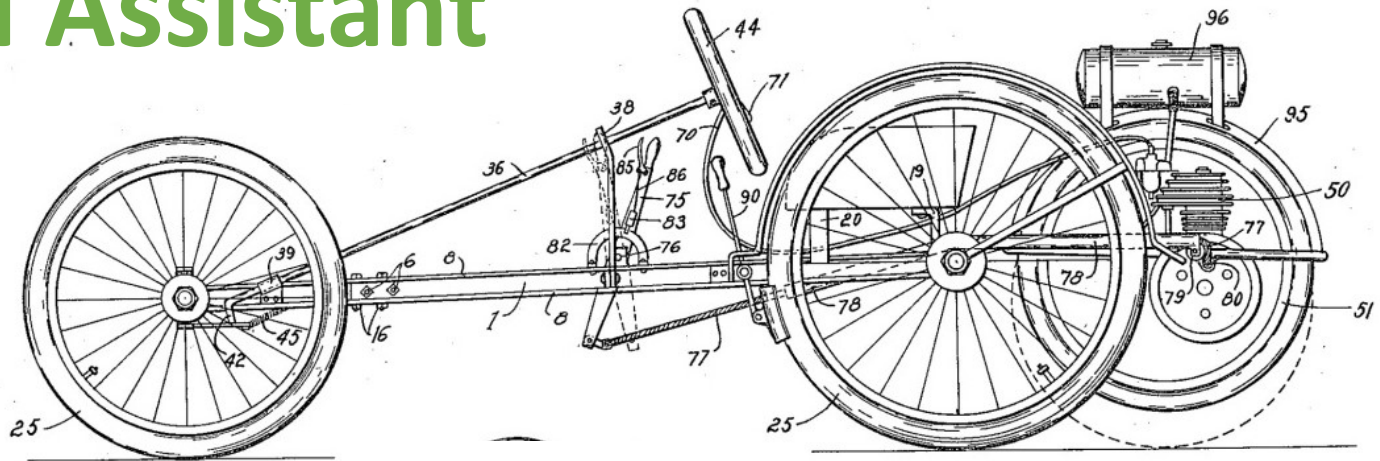
AI Current Use In Patent Law

- ✓ **Generating Document Templates**
- ✓ **Document Generation**
- ✓ **Document Editing**



AI Future Use In Law

- ✓ Drafting Documents
- ✓ Making Live Legal Arguments
- ✓ Virtual Assistant



AI In Civil/Environmental Engineering:

- ✓ **Generating Reports**
- ✓ **Business Admin**
- ✓ **Data Processing**
- ✓ **Data Modeling**
- ✓ **Developing Software**

